

TURNOUT CONTROLERS

HSC - www.halted.com

in - Rohnert Park, Santa Clara, Sacramento

DPDT toggle switch, on-on (Do not use center off toggle switch)

MD Angles - aluminum 'L' 1-1/2" x 1- 1/2" x 1/16"

K & E - 1/4" Brass tubing

Wire gauge of choice

12 Gauge Galvanized Utility Wire - 100 ft. roll

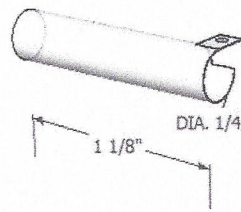
LARA'S CRAFTS - www.larascraft.com

Toy Wheel 1" (1/8" Center hole)

TOOLS

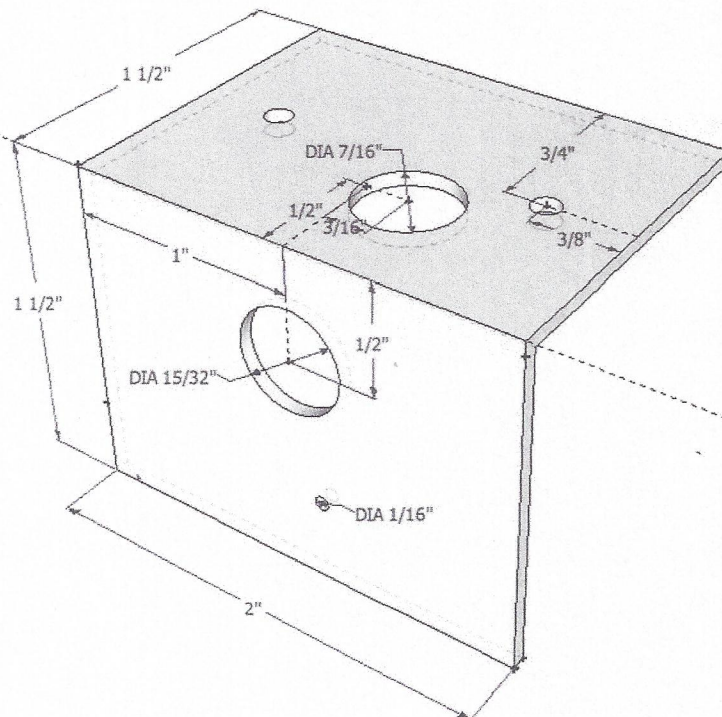
Step drill - 1/32" increments to 1/2"

4-40 - Die



Dave Croshere ddc@sonic.net

Turnout controller bracket and Lever arm



WIRE